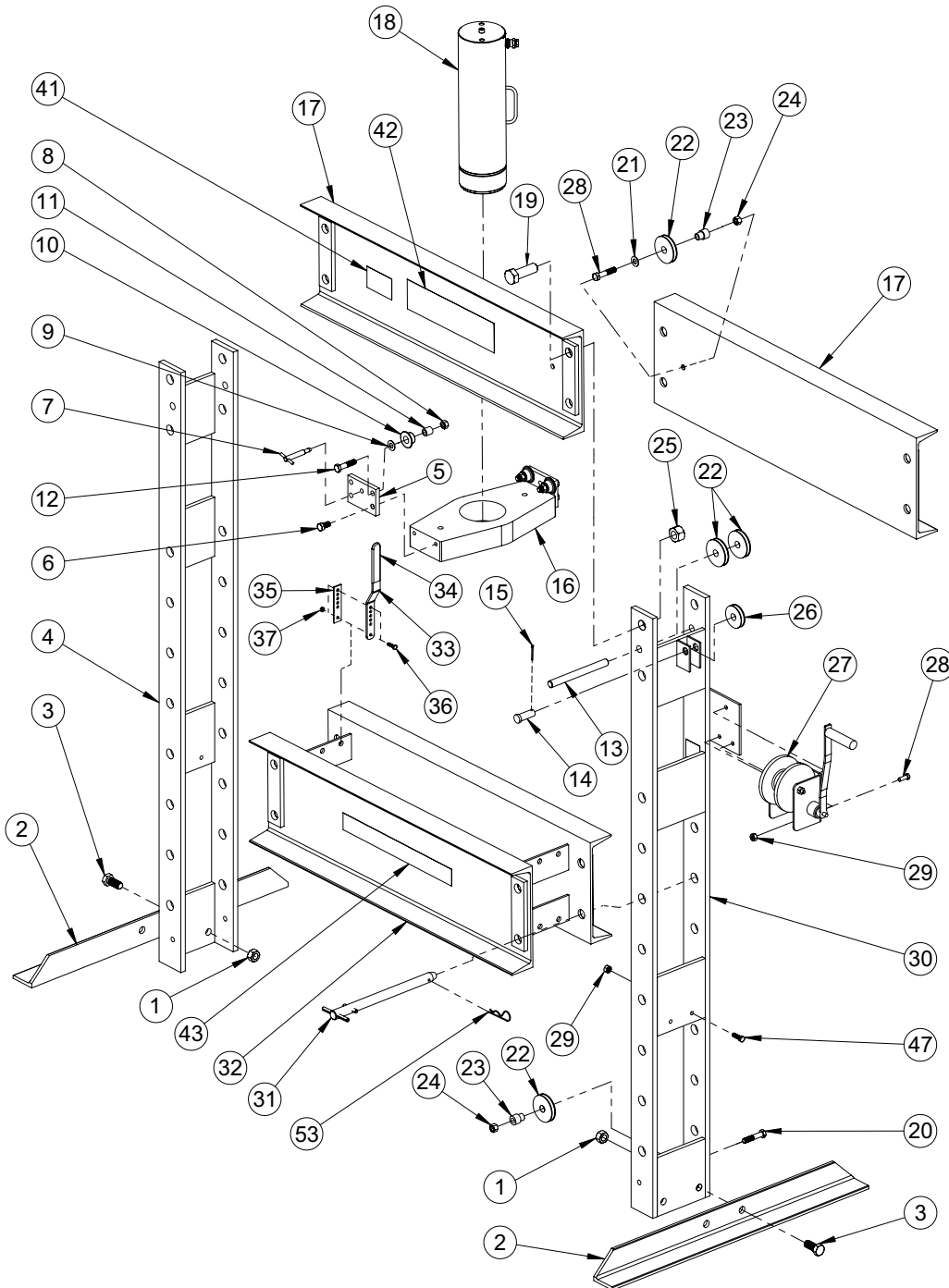


### Parts List For:

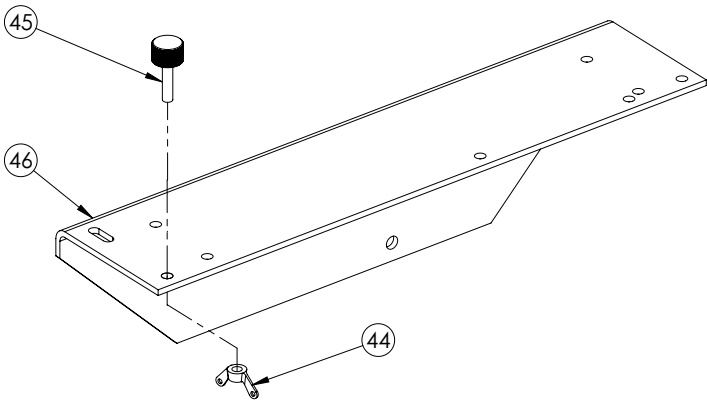
|      |             |               |              |
|------|-------------|---------------|--------------|
| 1845 | SPA556      | SPE5513D      | SPE5513SCE   |
| 1846 | SPA556CE    | SPE5513D-220  | SPE5513S-220 |
| 1847 | SPE556      | SPE5513DCE    | SPM556       |
|      | SPE556-220  | SPE5513DS     | SPM556CE     |
|      | SPE556CE    | SPE5513DSCE   | SPM5513      |
|      | SPE5513     | SPE5513DS-220 | SPM5513CE    |
|      | SPE5513-220 | SPE5513R      |              |
|      | SPE5513CE   | SPE5513S      |              |

## HYDRAULIC SHOP PRESS MAX. CAPACITY: 55 TONS

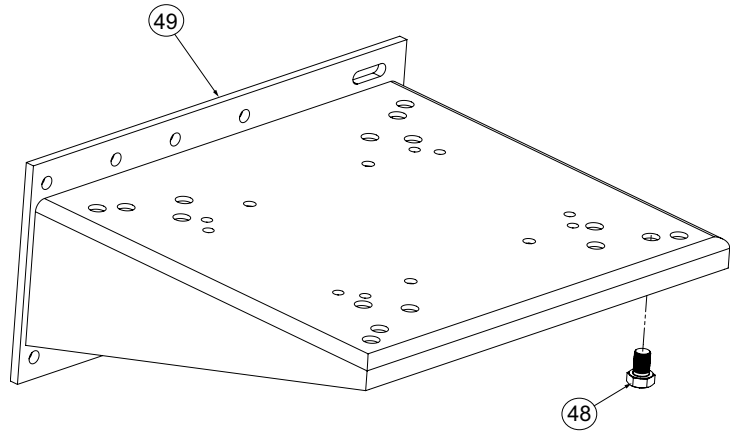


**NOTE: #29 and #47 are used to mount the pump mounting bracket.**

# PARTS LIST

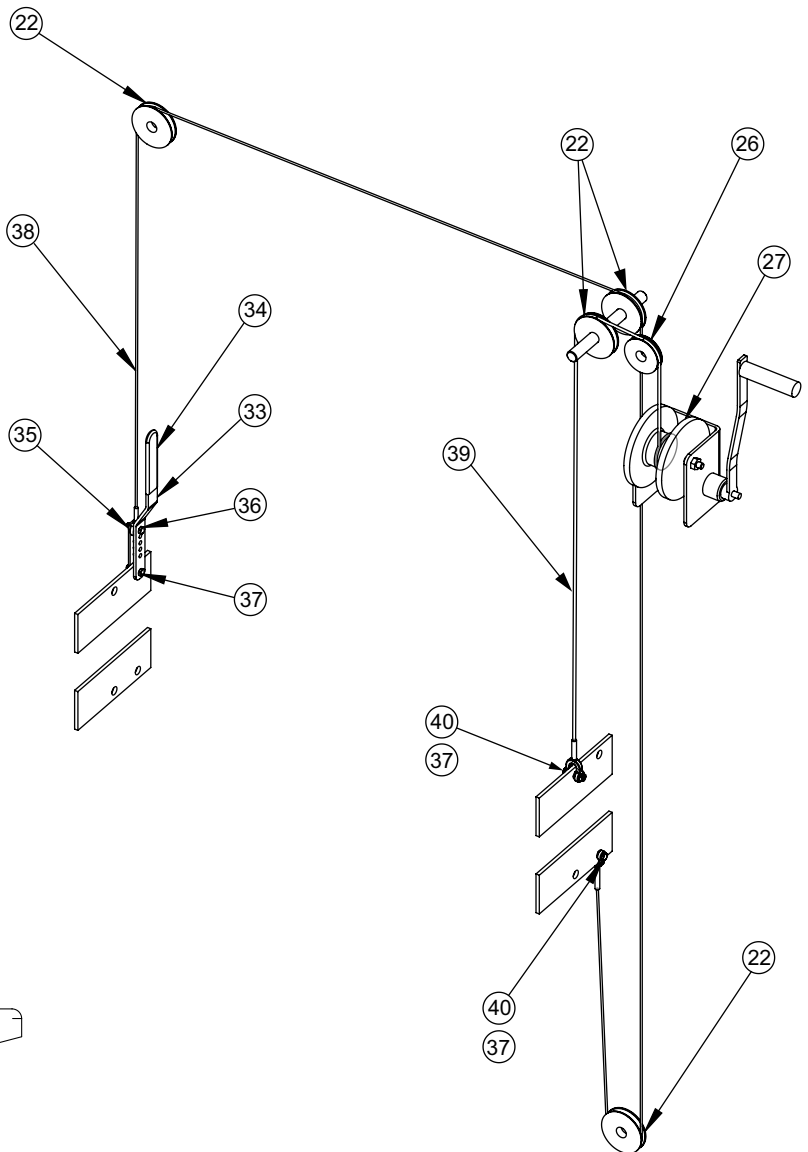
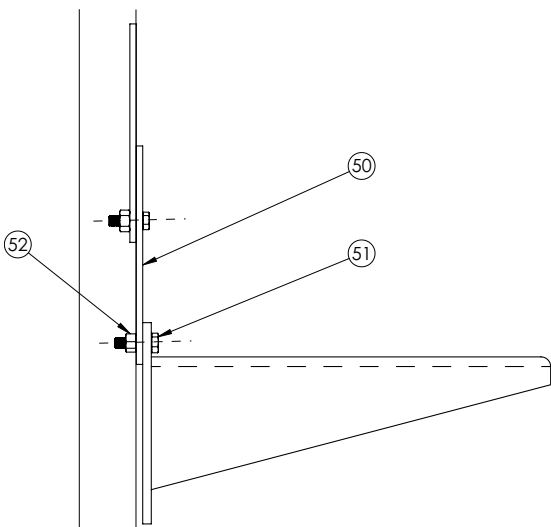


MOUNTING BRACKET  
for P159 and 4016 HAND PUMP



MOUNTING BRACKET  
for all ELECTRIC PUMPS and P460 HAND PUMP

**NOTE for SPE5513DS, SPE5513DS-220, and SPE5513DSCE only: An extension plate (#50) is needed to lower pump mounting bracket so winch handle does not hit on top of pump.**



CABLE DIAGRAM

## Parts List Continued

| PRESS FRAME ONLY | USED ON  |
|------------------|--|
| 60361            | 1845, 1846, 1847   |
| SPF55            | SPA556, SPA556CE, SPE556, SPE556-220, SPE556CE, SPM556, SPE5513, SPE5513-220, SPE5513R, SPE5513S, SPE5513S-220, SPE5513DS, SPE5513DS-220, SPE5513DSCE, SPM5513, SPE5E13CE, SPE5513D, SPE5513D-220, SPE5513DCE, SPM556CE, SPM5513CE, SPE5513SCE |

| ITEM | PART NO. | DESCRIPTION   | QTY. |
|------|----------|---|------|
| 1    | 10216    | HEX NUT (3/4-10 UNC)  | 4    |
| 2    | 25849    | FOOT ANGLE  | 2    |
| 3    | 10119    | HEX HD. CAP SCREW (3/4-10 UNC×1-3/4 Lg.)  | 4    |
| 4    | 42471    | L. H. UPRIGHT   | 1    |
| 5    | 202496   | PLATE   | 2    |
| 6    | 10079    | HEX HD. CAP SCREW (1/2-13 UNC × 1" Lg.)   | 4    |
| 7    | 25825    | SCREW, ADJUST (1/2-13 × 3-1/2)  | 2    |
| 8    | 10208    | HEX NUT (1/2-13 UNC)  | 4    |
| 9    | 12004    | WASHER, PLAIN (0.54 × 1.06 × 0.10 STEL)   | **AR |
| 10   | 202498   | ROLLER  | 4    |
| 11   | 202497   | BUSHING   | 4    |
| 12   | 12896    | HEX. HD. CAP SCREW (1/2-13 UNC × 2-1/4 Lg.)   | 4    |
| 13   | 202490   | SHAFT, PULLEY   | 1    |
| 14   | 16654    | PIN, CLEVIS (.75 × 2.00)  | 1    |
| 15   | 10472    | PIN, COTTER (.13 × 1.50)  | 1    |
| 16   | 50954    | PLATE, CYL MNT (14.7 × 8 × 5" THD)  | 1    |
| 17   | 33328OR9 | BOLSTER WELDMENT, UPPER 55 TON (Power Team)   | 2    |
|      | 33328BL2 | UPPER BOLSTER (OTC)   | 2    |
| 18   | 52380    | SINGLE-ACTING CYLINDER (55 Ton 13-1/4" stroke)<br>(All except SPE5513DS, SPE5513DS-220, SPE5513DSCE, SPE5513D, SPE5513D-220, and SPE5513DCE; See Form No. 101411) | 1    |
|      | 51682    | DOUBLE-ACTING CYLINDER (55 Ton 13-1/8" stroke)<br>(For SPE5513DS, SPE5513DS-220, SPE5513DSCE, SPE5513D, SPE5513D-220, and SPE5513DCE; See Form No. 101409)        | 1    |
| 19   | 12697    | HEX HD. CAP SCREW (1"- 8 × 3" Lg.)  | 8    |
| 20   | 10089    | HEX HD. CAP SCREW (1/2-13 × 2-1/2 Lg.)  | 2    |
| 21   | 12004    | WASHER, PLAIN (0.54 × 1.06 × 0.10 STEL)   | 1    |
| 22   | 16659    | PULLEY (3" DIA.)  | 4    |
| 23   | 202468   | SPACER  | 2    |
| 24   | 15013    | LOCKNUT (1/2-13 UNC)  | 2    |
| 25   | 10221    | HEX NUT (1"-8 UNC)  | 8    |
| 26   | 16653    | PULLEY (2-1/2 DIA.)   | 1    |

## Parts List Continued

| ITEM                                | PART NO. | DESCRIPTION  | QTY. |
|-------------------------------------|----------|--|------|
| 27                                  | 18895    | WINCH  | 1    |
| 28                                  | 10049    | HEX. HD. CAP SCREW (3/8-16 UNC × 1" Lg.)   | 3    |
| 29                                  | 10204    | HEX NUT (3/8-16 UNC; NOTE: Two for mounting plate; Three for winch.)                                     | 5    |
| 30                                  | 42470    | R. H. UPRIGHT  | 1    |
| 31                                  | *25846   | PIN ASSEMBLY (REPLACED WITH 25846-KIT)   | 4    |
| 32                                  | 51536OR9 | LOWER BOLSTER (Power Team)   | 1    |
|                                     | 51536BL2 | LOWER BOLSTER (OTC)  | 1    |
| 33                                  | 38579    | HANDLE, STRAP (For press)  | 1    |
| 34                                  | 17241    | HANDLE GRIP  | 1    |
| 35                                  | 201929   | CABLE ADJUSTER STRAP   | 1    |
| 36                                  | 10017    | HEX HD. CAP SCREW (1/4-20 UNC × 1" Lg.)  | 2    |
| 37                                  | 12809    | LOCKNUT (1/4-20 UNC)   | 4    |
| 38                                  | 202483   | PRESS CABLE  | 1    |
| 39                                  | 204728   | WINCH CABLE  | 1    |
| 40                                  | 10019    | HEX HD. CAP SCREW (1/4-20 UNC × 1-1/4 Lg.)   | 2    |
| 41                                  | 206043   | INSTRUCTION DECAL  | 1    |
| 42                                  | 36585    | DECAL, TRADENAME POWER TEAM (55 TON)   | 1    |
|                                     | 304984   | TRADE NAME DECAL (For 1845, 1846, and 1847)  | 1    |
| 43                                  | 46896    | WARNING DECAL  | 1    |
| 44                                  | 12029    | WING NUT (5/16-18) (For mounting P159 or 4016 Hand Pump.)  | 3    |
| 45                                  | 12680    | THUMB SCREW (5/16-18 × 1.25)<br>(For mounting P159 or 4016 Hand Pump.)                                   | 3    |
| 46                                  | 42733WH2 | PUMP MOUNTING BRACKET<br>(For mounting P159 or 4016 Hand Pump.)  | 1    |
| 47                                  | 10052    | HEX HD. CAP SCREW (3/8-16 UNC × 1-1/4 Lg.)   | 2    |
| 48                                  | 10798    | HEX HD. CAP SCREW (1/2-20 UNF × 3/4 Lg.; For mounting Pump on SPE5513DS, SPE5513DS-220, and SPE5513DSCE) | 4    |
|                                     | 10048    | HEX HD. CAP SCREW (3/8-16 × 7/8 Lg.; For mounting Pump on SPM5513, SPE5513S, and SPE5513S-220)           | 4    |
| 49                                  | 50931    | PUMP MOUNTING BRACKET (For mounting all electric pumps and P460 HAND PUMP.)                              | 1    |
| 50                                  | 44733    | EXTENSION PLATE (For SPE5513DS, SPE5513DS-220, and SPE5513DSCE)  | 1    |
| 51                                  | 10052    | HEX HD. CAP SCREW (3/8-16 × 1-1/4 Lg.; For SPE5513DS, SPE5513DS-220, and SPE5513DSCE)                    | 2    |
| 52                                  | 10204    | HEX NUT (3/8-16 UNC; For SPE5513DS, SPE5513DS-220, and SPE5513DSCE)                                      | 2    |
| 53                                  | *2010230 | PIN, HAIRPIN COTTER 0.17 x 3.5   | 4    |
| <b>PARTS INCLUDED BUT NOT SHOWN</b> |          |  |      |
|                                     | 350989   | DECAL, CE UKCA (For SPA556CE, SPM556CE, SPE5513DSCE, SPE5513CE, SPM5513CE, and SPM556CE)                 | 1    |

## Parts List Continued

\*\* AS REQUIRED

**NOTE: Pump mounting hardware for SPE556, SPE556-220, SPE556CE, SPE5513, SPE5513-220, SPE5513CE, SPE5513D, SPE5513D-220, SPE5513DCE, and 1845 is included with the pump.**

PART NUMBERS MARKED WITH AN (\*) ARE CONTAINED IN REPAIR KIT P/N25846-KIT

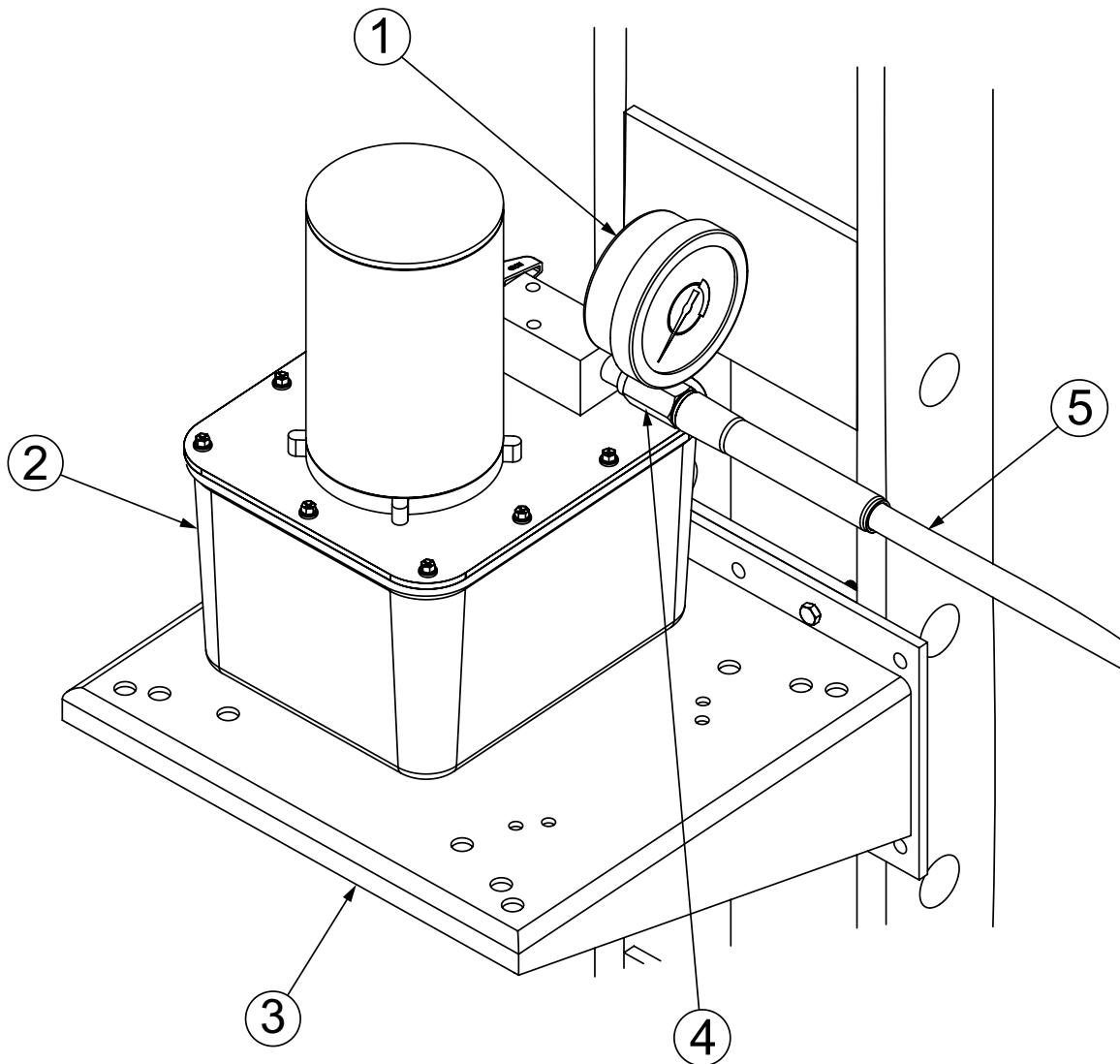
Refer to any operating instructions included with this product for detailed information about operation, testing, disassembly, reassembly, and preventive maintenance.

Items found in this parts list have been carefully tested and selected. **Therefore: Use only genuine Power Team replacement parts!**

Additional questions can be directed to our Technical Services Department.

### ELECTRIC PUMP

(USED ON SPE556, SPE556CE, SPE556-220, SPE5513, SPE5513-220, SPE5513CE, SPE5513D, SPE5513D-220, SPE5513DCE, and 1845)



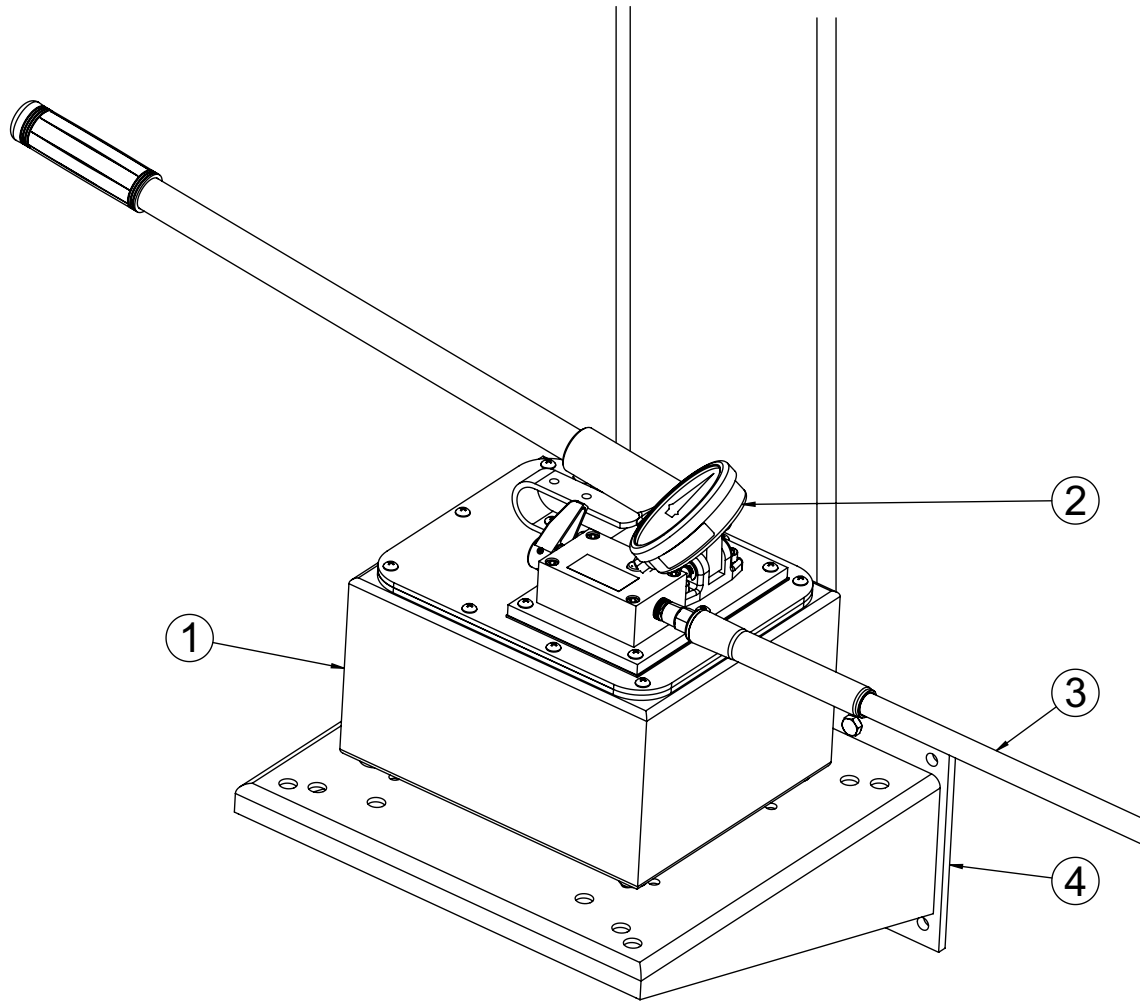
## Parts List Continued

| ITEM   | PART NO.     | DESCRIPTION   | QTY. |
|--|--------------|---|------|
| 1  | 9069         | GAUGE (4",0-55 TON, C/R/RA/RD, Dry 2000 PSI)  | 1    |
| 2  | 4044         | ELECTRIC PUMP 115V 60HZ (For 1845; See Form No. 100577)   | 1    |
|  | PE172        | ELECTRIC PUMP 17 CU IN/MIN, 110/115V, 50/60 HZ<br>(For SPE556 and SPE5513; See Form No. 100577)   | 1    |
|  | PE172-50-220 | ELECTRIC PUMP 2W, 220V 50HZ, 2 GAL<br>(For SPE556-220 and SPE5513-220; See Form No. 100585)       | 1    |
|  | PE172-E220   | ELECTRIC PUMP 220V 50HZ<br>(For SPE5513CE, and SPE556CE; See Form No. 108083)                     | 1    |
|  | PE174        | ELECTRIC PUMP 17 CU IN/MIN, 110/115V 50/60HZ S/D<br>(For SPE5513D; See Form No. 100577)           | 1    |
|  | PE174-50-220 | ELECTRIC PUMP 4W, ALUMNM, 220V 50HZ, S/D<br>(For SPE5513D-220; See Form No. 100585)               | 1    |
|  | PE174-E220   | ELECTRIC PUMP 220V 50HZ<br>(For SPE5513DCE; See Form No. 108083)                                  | 1    |
| 3  | 50931        | PUMP MOUNTING BRACKET   | 1    |
| 4  | 9670         | TEE ADAPTER (1/4", 3/8" NPTF F, 3/8" NPTF M)  | 1    |
| 5  | 350158       | HOSE, RUBBER (.38" INTERNAL DIA, 10')<br>(For SPE556, 1845, SPE556-220, SPE5513, and SPE5513-220) | 1    |
|  | 36887        | HOSE, POLYURETHANE (.25" ID, 8')<br>(For SPE5513D and SPE5513D-220)                               | 2    |
|  | 9769E        | HOSE, 10' POLYURETHANE ISO<br>(For SPE556CE, SPE5513CE, and SPE5513DCE)                           | 1    |
| <b>PARTS INCLUDED BUT NOT SHOWN</b>  |              |   |      |
|  | 350989       | DECAL, CE UKCA (For SPE556CE, SPE5513CE, SPE5513DCE,<br>SPE5513SCE, and SPE5513DSCE)              | 1    |
| <b>NOTE: Pump mounting hardware is included with the pump for these presses.</b> |              |   |      |

## Parts List Continued

### P460 HAND PUMP

(USED ON SPM5513 and SPM5513CE)

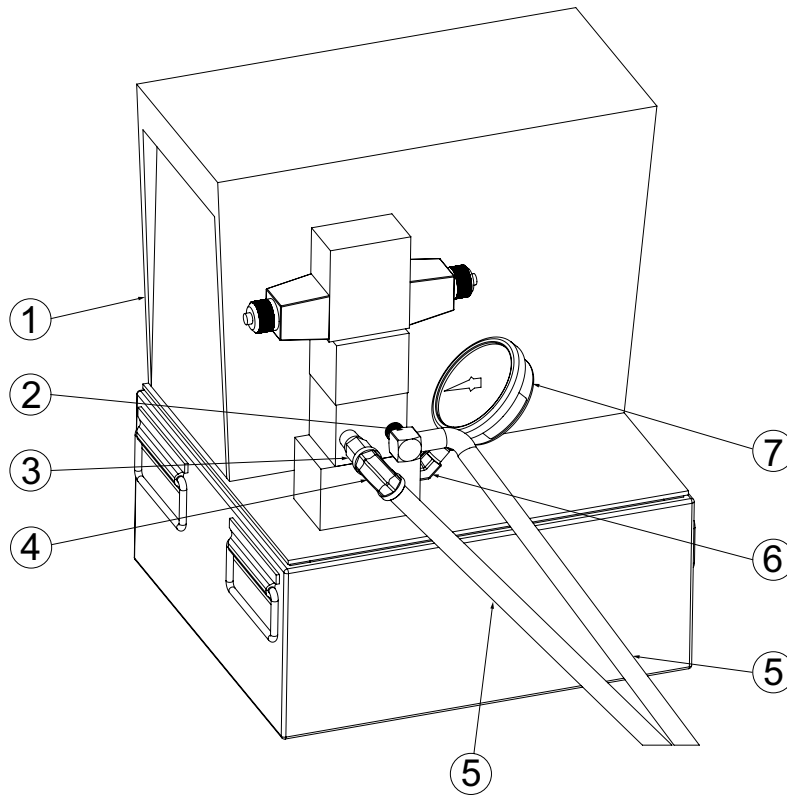


| ITEM                                | PART NO. | DESCRIPTION  | QTY. |
|-------------------------------------|----------|--|------|
| 1                                   | P460     | HAND PUMP (2-SPD, .294-7.35 CU IN/Stroke)<br>(See Form No. 101475) | 1    |
| 2                                   | 9069     | GAUGE (4", 0-55 TON, C/R/RA/RD, Dry 2000 PSI)                      | 1    |
| 3                                   | 350158   | HOSE, RUBBER (.38" Internal DIA, 10') (For SPM5513)                | 1    |
|                                     | 9769E    | HOSE, 10' POLYURETHANE ISO (For SPM5513CE)                         | 1    |
| 4                                   | 50931    | PUMP MOUNTING BRACKET  | 1    |
| <b>PARTS INCLUDED BUT NOT SHOWN</b> |          |  |      |
|                                     | 350989   | DECAL, CE UKCA (For SPE5513CE)                                     | 1    |

## Parts List Continued

### ELECTRIC PUMP

(USED ON SPE5513DS, SPE5513DS-220, SPE5513DSCE, and SPE5513SCE)



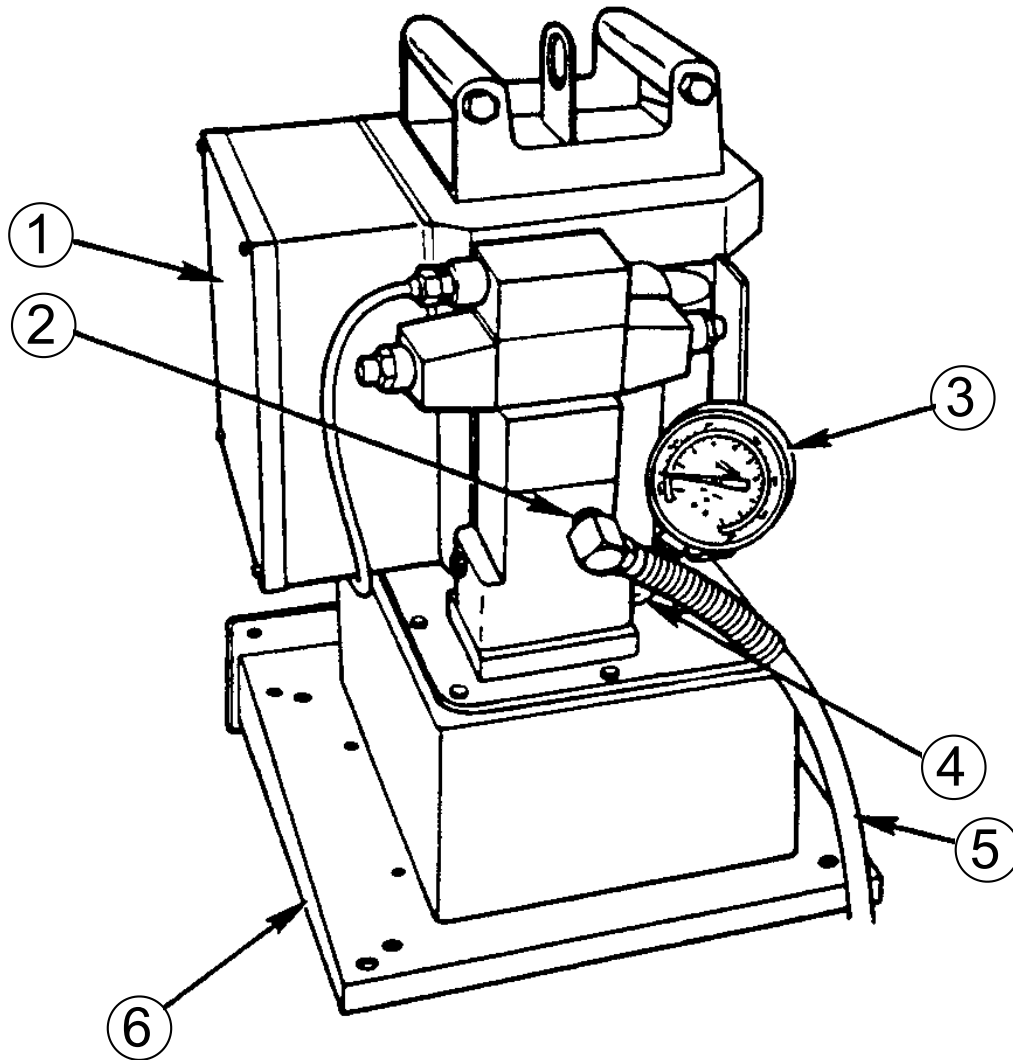
| ITEM                                | PART NO.      | DESCRIPTION   | QTY. |
|-------------------------------------|---------------|---|------|
| 1                                   | PQ604S        | ELECTRIC PUMP (60 CU IN/MIN, 230V, 60HZ, D)<br>(For SPE5513DS; See Form No. 100384) | 1    |
|                                     | PQ604S-50-220 | ELECTRIC PUMP 4W, SLNOID, 220V 50HZ, D<br>(For SPE5513DS-220; See Form No. 100384)  | 1    |
|                                     | PE174SM-E220  | ELECTRIC PUMP 4W, SLNOID, 220V 50HZ, D<br>(For SPE5513DSCE; See Form No. 108083)    | 1    |
|                                     | PE172S-E220   | ELECTRIC PUMP RMT CNTRL, 220V 50HZ<br>(For SPE5513SCE; See Form No. 108083)         | 1    |
| 2                                   | 10474         | FITTING (90° ELB 3/8 NPTF M x 3/8 NPTF F)   | 1    |
| 3                                   | 9683          | MALE CONNECT (2.25" LONG, 3/8" NPTF M)  | 1    |
| 4                                   | 10647         | FITTING (90° ELB 3/8 NPTF F x 3/8 NPTF F)   | 1    |
| 5                                   | 36887         | HOSE, POLYURETHANE (.25" ID, 8')<br>(For SPE5513DS and SPE5513DS-220)               | 2    |
|                                     | 9769E         | HOSE, 10' POLYURETHANE ISO (For SPE5513SCE)   | 1    |
|                                     | 9768E         | HOSE, 8' POLYURETHANE ISO (For SPE5513DSCE)   | 1    |
| 6                                   | 10645         | FITTING, 45° ELB 1/4 NPTF M X 1/4 NPTF F  | 1    |
| 7                                   | 9069          | GAUGE 4", 0-55 TON, C/R/RA/RD, DRY 2000 PSI   | 1    |
| <b>PARTS INCLUDED BUT NOT SHOWN</b> |               |   |      |
|                                     | 350989        | DECAL, CE UKCA (For SPE5513SCE)   | 1    |



## Parts List Continued

### ELECTRIC PUMP

(USED ON SPE5513S and SPE5513S-220)

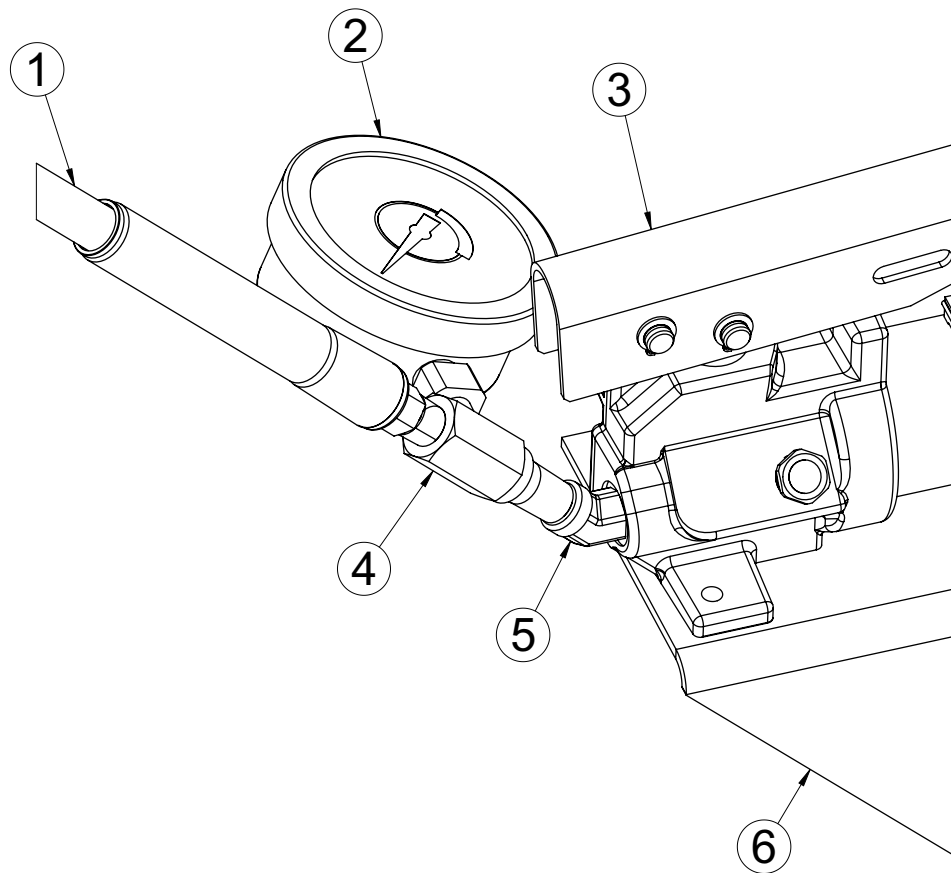


| ITEM | PART NO.      | DESCRIPTION   | QTY. |
|------|---------------|---|------|
| 1    | PE213S        | ELECTRIC PUMP 22 CU IN/MIN, 115/230V, 60HZ<br>(For SPE5513S; See Form No. 100807) | 1    |
|      | PE213S-50-220 | ELECTRIC PUMP 3W, SLNOID, 220V 50HZ<br>(For SPE5513S-220; See Form No. 100807)    | 1    |
| 2    | 10474         | FITTING, 90° ELB 3/8 NPTF M x 3/8 NPTF F  | 1    |
| 3    | 9069          | GAUGE 4", 0-55 TON, C/R/RA/RD, DRY 2000 PSI                                       | 1    |
| 4    | 10645         | FITTING, 45° ELB 1/4 NPTF M X 1/4 NPTF F  | 1    |
| 5    | 350158        | HOSE, RUBBER .38" INTERNAL DIA, 10'   | 1    |
| 6    | 50931         | BRACKET, PUMP MOUNTING  | 1    |
|      | 10048         | SCREW, HEX CAP (Not Shown; For mounting pump;<br>3/8-16 x 7/8 Lg.)                | 4    |

## Parts List Continued

### HAND PUMP

(USED ON SPM556, SPM556CE, and 1846)

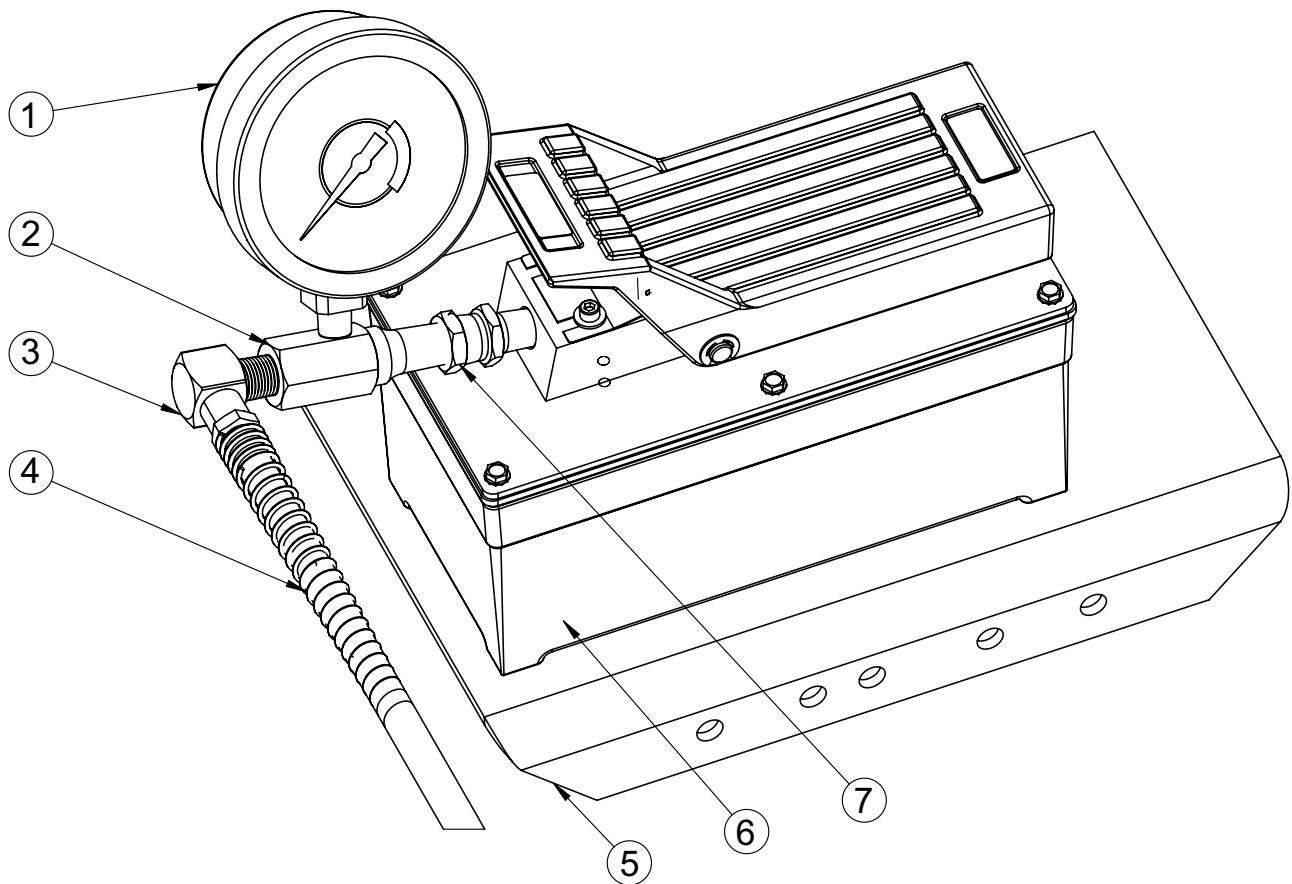


| ITEM                                | PART NO. | DESCRIPTION   | QTY. |
|-------------------------------------|----------|---|------|
| 1                                   | 350158   | HOSE, RUBBER .38" INTERNAL DIA, 10' (For SPM556 and 1846)                             | 1    |
|                                     | 9769E    | HOSE, 10' POLYURETHANE ISO (For SPM556CE)   | 1    |
| 2                                   | 9069     | GAUGE 4", 0-55 TON, C/R/RA/RD, DRY 2000 PSI   | 1    |
| 3                                   | 4016     | HAND PUMP TWO SPEED (For 1846; See Form No. 101800)                                   | 1    |
|                                     | P159     | HAND PUMP 2-SPD, .160-2.6 CU IN/STROKE (For SPM556 and SPM556CE; See Form No. 101796) | 1    |
| 4                                   | 9670     | TEE ADAPTER 1/4", 3/8" NPTF F, 3/8" NPTF M  | 1    |
| 5                                   | 10648    | FITTING, 45° ELB 3/8 NPTF M X 3/8 NPSM F  | 1    |
| 6                                   | 42733WH2 | PUMP MOUNTING BRACKET   | 1    |
| <b>PARTS INCLUDED BUT NOT SHOWN</b> |          |   |      |
|                                     | 350989   | DECAL, CE UKCA (For SPM556CE)   | 1    |

## Parts List Continued

### AIR PUMP

(USED ON SPA556, SPA556CE, and 1847)



| ITEM                                | PART NO. | DESCRIPTION  | QTY. |
|-------------------------------------|----------|--|------|
| 1                                   | 9069     | GAUGE 4",0-55 TON,C/R/RA/RD,DRY 2000 PSI                           | 1    |
| 2                                   | 9670     | TEE ADAPTER 1/4", 3/8" NPTF F, 3/8" NPTF M                         | 1    |
| 3                                   | 10474    | FITTING, 90° ELB 3/8 NPTF M X 3/8 NPTF F                           | 1    |
| 4                                   | 350158   | HOSE, RUBBER .38" INTERNAL DIA, 10" (For 1847 and SPA556)          | 1    |
|                                     | 9769E    | HOSE, 10' POLYURETHANE ISO (For SPA556CE)                          | 1    |
| 5                                   | 421125   | PUMP MOUNTING BRACKET  | 1    |
| 6                                   | 4022     | PUMP, AIR (For 1847; See Form No. 101695)                          | 1    |
|                                     | PA6      | PUMP, AIR/HYDRAULIC (For SPA556 and SPA556CE; See Form No. 101652) | 1    |
| 7                                   | 10469    | FITTING, STR 3/8 NPTF M X 3/8 NPSM F                               | 2    |
| <b>PARTS INCLUDED BUT NOT SHOWN</b> |          |  |      |
|                                     | 350989   | DECAL, CE UKCA (For SPA556CE)                                      | 1    |