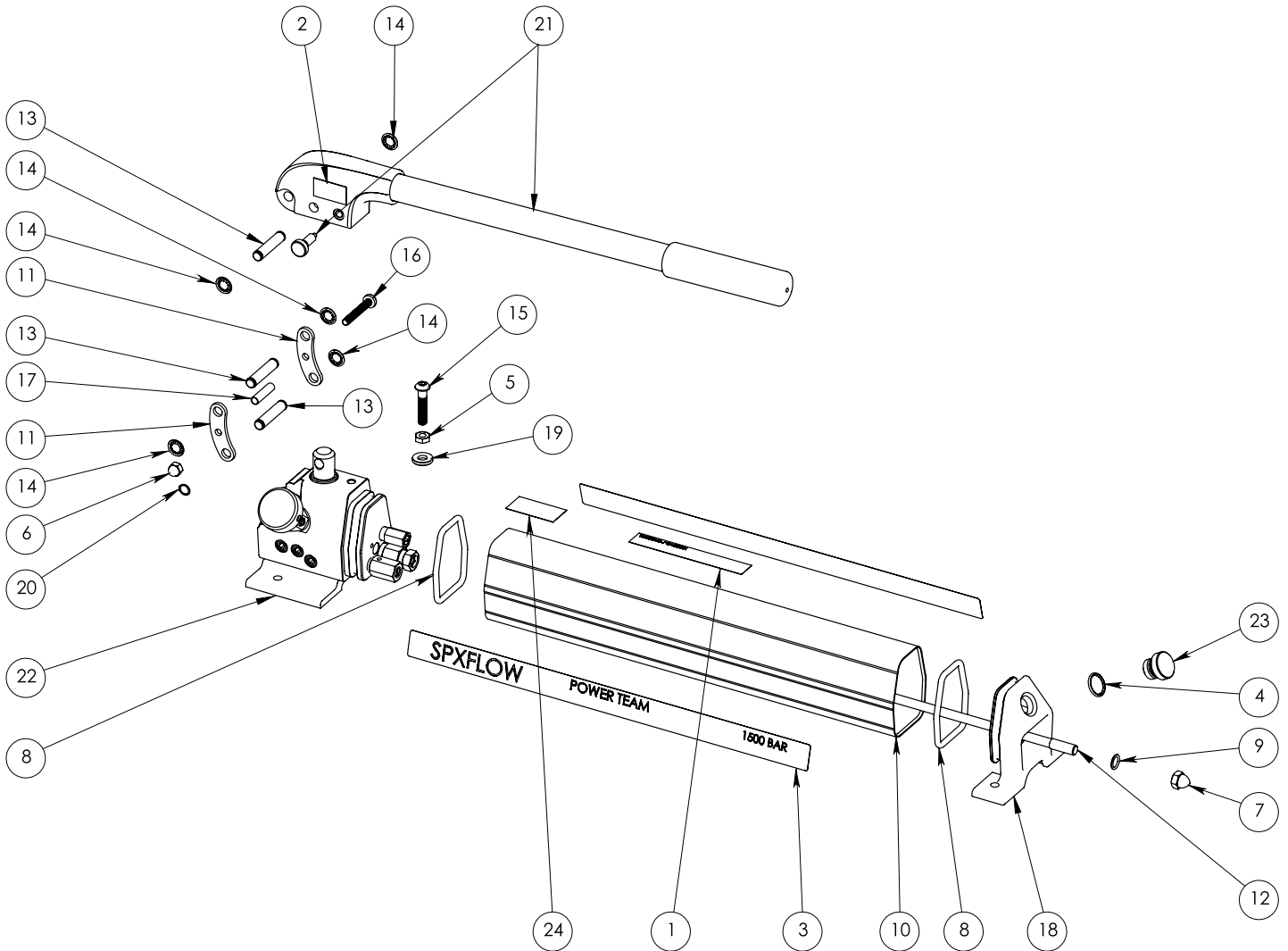


TWO-STAGE HYDRAULIC HAND PUMP 300 PSI FIRST STAGE; 22,500 PSI SECOND STAGE

P59L-1500



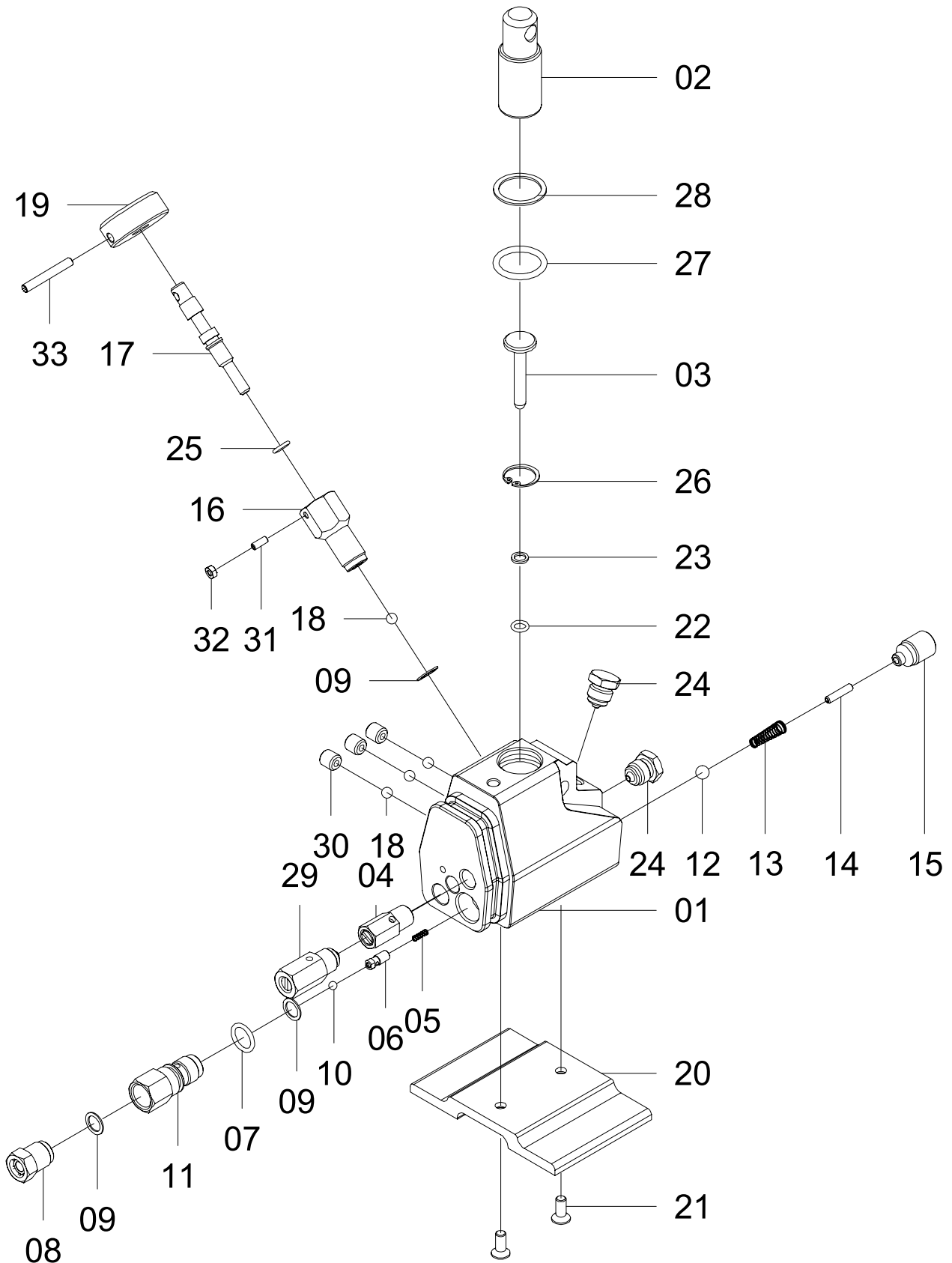
PARTS LIST

P59L-1500 PARTS LIST			
ITEM	PART NO.	DESCRIPTION	QTY.
1	1000135	DECAL, WARNING P19L AND P59L	1
2	1000143	DECAL, LOCKING DEVICE	1
3	1001077	DECAL, TRADENAME POWER TEAM P59L-1500	1
4	10274	O-RING (-115) 0.67 4ID X 0.103 NITRILE 70	1
5	10385	NUT, HEX JAM 5/16-18	1
6	10486	NUT, HEX ACORN CAP 1/4-20	1
7	10842	NUT, HEX ACORN CAP 3/8-16	1
8	11763	O-RING (-333) 2.4715ID X 0.210 NITRILE 70	2
9	12098	O-RING (-013) 0.426ID X 0.0070 NITRILE 70	1
10	2000316	TANK ASSY PT. 3.175/2.425 17.250 ALUM	1
11	2000323	LINK	2
12	2000326	ROD, TIE 3/8-16 X 18.50 P59L	1
13	2000329	PIN, PIVOT 1.78" P59L	3
14	2000332	RING, RETAINING P59L	5
15	2000359	SCREW, BUTTON 5/16-18 X 1.5	1
16	2000391	SCREW, 1/4-20 X 1.75 PAN PHILLIPS	1
17	2000401	TUBING, HEAT SHRINK 1/4" X 1/2" (17087)	1
18	2000405	CAP, END P59L MACHINED CASTING	1
19	2007907	WASHER, PIN HDN 0.75INX0.35X0.12 ST OX	1
20	251069	RETAINING RING	1
21	3000161	HANDLE ASSEMBLY	1
22	*3000996	ASSEMBLY, PUMP BODY P59L-1500	1
23	351245	CAP, FILLER	1
24	420691	DECAL, PRODUCT BLANK 2.06 X 1.00	1
* Service kits and parts for the 3000996 assembly can be found on sheet 3.			

3001114: STANDARD REPAIR KIT			
ITEM	PART NO.	DESCRIPTION	QTY.
1	1000135	DECAL, WARNING P19L AND P59L	1
4	10274	O-RING (-115) 0.67 4ID X 0.103 NITRILE 70	1
8	11763	O-RING (-333) 2.4715 ID X 0.210 NITRILE 70	2
9	12098	O-RING (-013) 0.426 ID X 0.0070 NITRILE 70	1
14	2000332	RING, RETAINING P59L	5
20	251069	RETAINING RING	1
(See Sheet 4)	3001113	HEAD REPAIR KIT	1

Parts List Continued

3000996 PUMP BODY ASSEMBLY



Parts List Continued

3001111: RELEASE VALVE KIT		
REFERENCE NO.	DESCRIPTION	QTY.
9	COPPER WASHER	1
16	RELEASE NUT	1
17	RELEASE VALVE SCREW	1
18	STEEL BALL	1
19	RELEASE KNOB	1
25	O-RING	1
31	SCREW	1
32	NUT	1
33	SPRING PIN	1

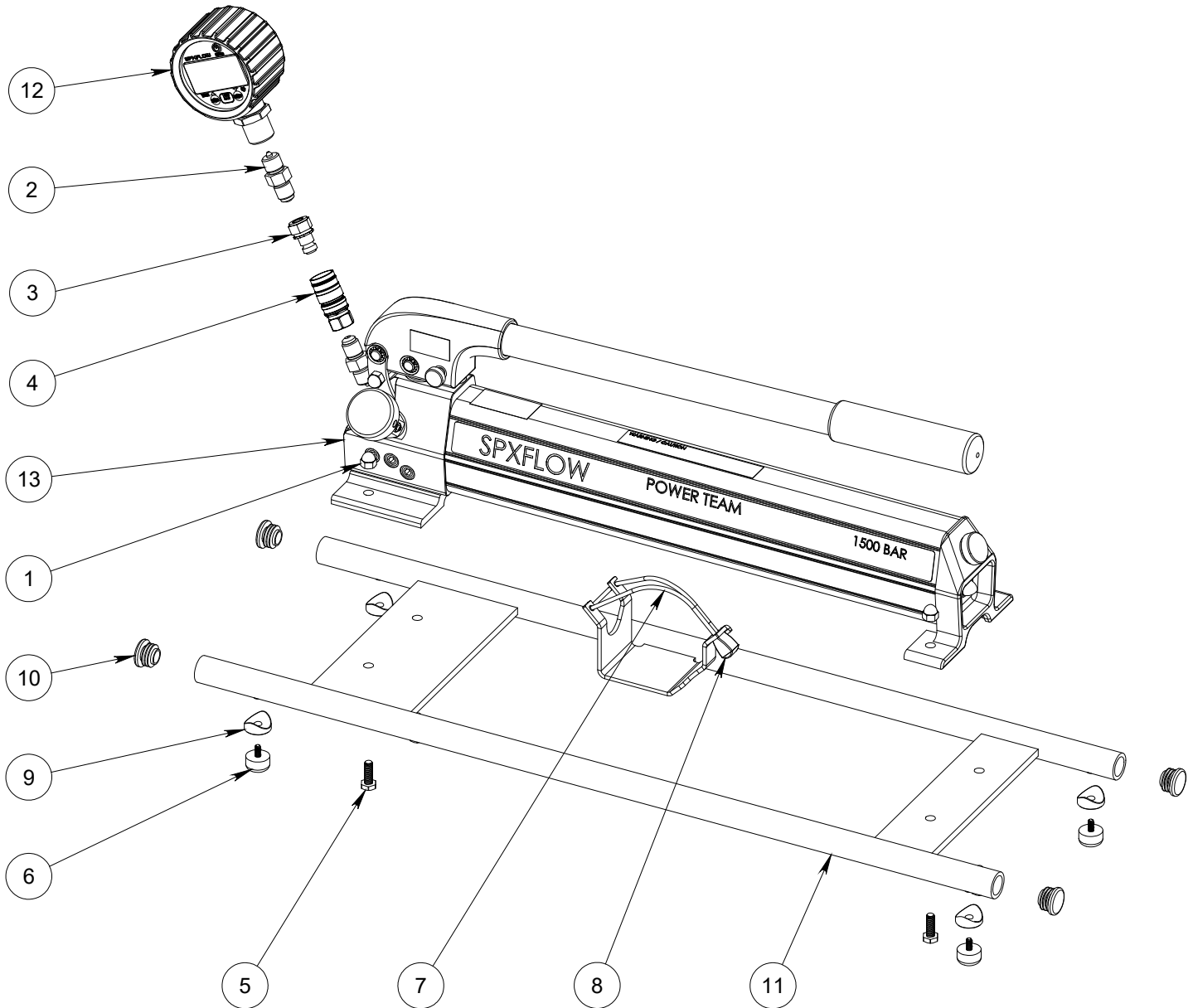
3001112: RELIEF VALVES KIT		
REFERENCE NO.	DESCRIPTION	QTY.
4	SAFETY VALVE	1
11	HIGH PRESSURE VALVE	1
29	RELIEF VALVE ASSEMBLY	1

3001113: HEAD REPAIR KIT		
REFERENCE NO.	DESCRIPTION	QTY.
5	SPRING	1
7	O-RING	1
9	COPPER WASHER	3
10	STEEL BAL	1
12	STEEL BAL	1
13	SPRING	1
18	STEEL BAL	4
22	O-RING	1
23	BACK-UP RING	1
25	O-RING	1
27	O-RING	1
28	BACK-UP RING	1

3001165: PISTON REPLACEMENT KIT		
REFERENCE NO.	DESCRIPTION	QTY.
2	L.P. PISTON	1
3	H.P. PISTON	1
22	O-RING	1
23	BACK-UP RING	1
26	SNAP RING	1
27	O-RING	1
28	BACK-UP RING	1

Parts List Continued

P59L-1500G



Parts List Continued

P59L-1500G PARTS LIST			
ITEM	PART NO.	DESCRIPTION	QTY.
1	10486	NUT, HEX ACORN CAP 1/4-20	4
2	2001771	FITTING, 1/4"HPM X G1/4 120 DEG	2
3	STDHC000001	CEJN116 NIPPLE 1/4 IN BSP 101166202	1
4	STDHC000002	CEJN116 COUPLING 1/4 IN BSP 101161202	1
5	2008274	SCREW, 1/4-20UNC 0.75 IN HHC-SS	4
6	2008609	BUMPER WITH 8-32 THREAD	4
7	2010187	CORD, ELASTIC 1/8 DIAMETER	1
8	2010188	CORD END, PLASTIC	1
9	2010226	SADDLE WASHER 7/8" O.D. .25" I.D.	4
10	2010227	PLUG, 7/8 O.D. X .61-.70 I.D. TUBE	4
11	3001104	ASSEMBLY, SKID PLATE P59L-1500G WITH INSERTS	1
12	9042DG1500	GAUGE, DIGITAL PRESSURE 21,700 PSI	1
13	P59L-1500	PUMP, HAND/HYD - 2 SPEED, 1500 BAR	1

3001167: SKID PLATE ASSEMBLY KIT			
ITEM	PART NO.	DESCRIPTION	QTY.
1	10486	NUT, HEX ACORN CAP 1/4-20	4
5	2008274	SCREW, 1/4-20UNC 0.75 IN HHC-SS	4
6	2008609	BUMPER WITH 8-32 THREAD	4
7	2010187	CORD, ELASTIC 1/8 DIAMETER	1
8	2010188	CORD END, PLASTIC	1
9	2010226	SADDLE WASHER 7/8" O.D. .25" I.D.	4
10	2010227	PLUG, 7/8 O.D. X .61-.70 I.D. TUBE	4
11	3001104	ASSEMBLY, SKID PLATE P59L-1500G WITH INSERTS	1

Refer to any operating instructions included with the product for detailed information about operation, testing, disassembly, reassembly, and preventive maintenance.

Items found in this parts list have been carefully tested and selected. **Therefore: Use only genuine Power Team replacement parts!**

Additional questions can be directed to one of our Technical Services Departments.